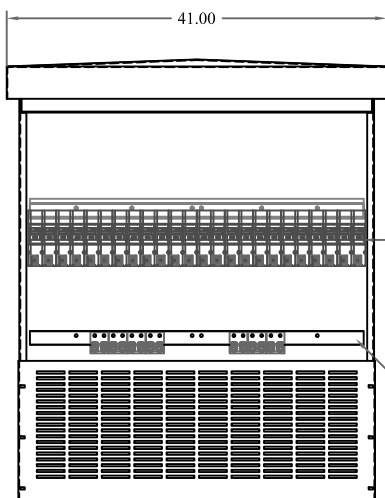


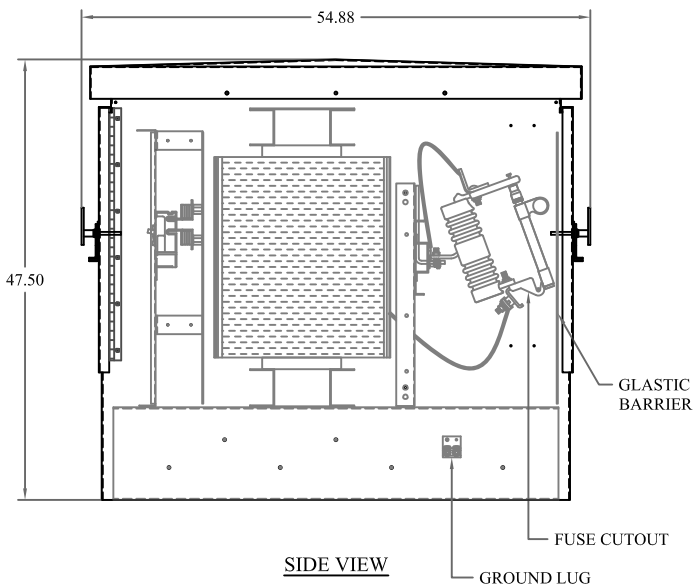


EPC RESIDENTIAL PRODUCTS  
**MHS-24 / MHS-72 MODEL SERIES**  
 50 kVA to 250 kVA UNIT SUBSTATION  
 2400V OR 7200V PRIMARY

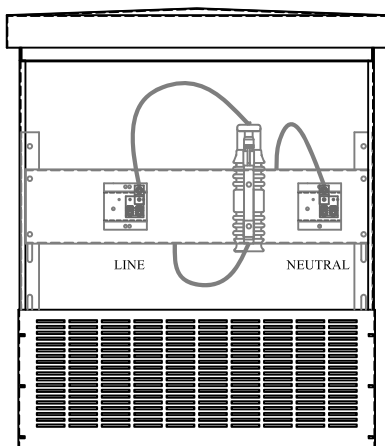


**FRONT VIEW**  
 (SECONDARY SIDE)

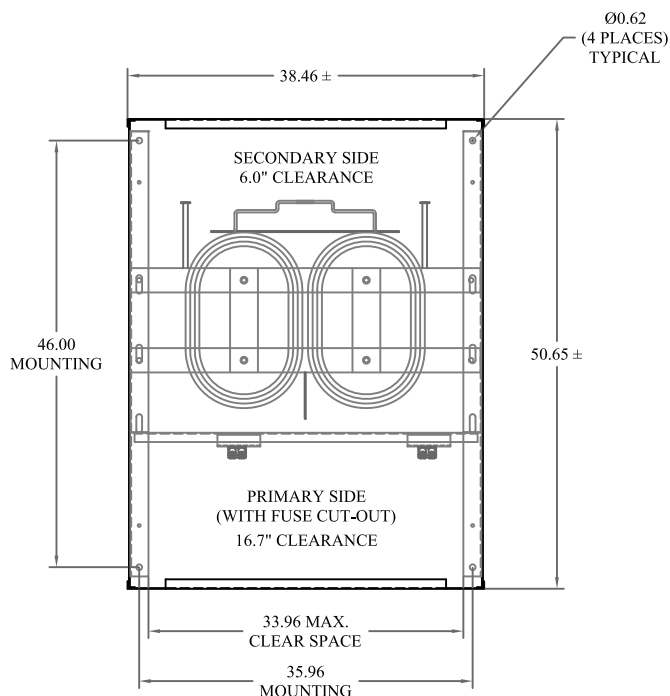
SECONDARY  
 COPPER BUS  
 120/240V 2P C/Bs  
 12 UNITS (MAX)  
 100-225A  
 NEUTRAL BUS



**SIDE VIEW**



**REAR VIEW**  
 (PRIMARY SIDE)



**PLAN VIEW**

SPECIFICATIONS

- \* NEMA 3R ENCLOSURE
- \* POLYESTER POWDER-COATED FINISH EXCEEDS ASTM-B-117 SPECIFICATIONS
- \* FABRICATED FROM CORROSION-RESISTANT ZINC-COATED STEEL

- \* TRANSFORMER IS ALUMINUM WOUND (COPPER WINDING ALSO AVAILABLE)
- \* SECONDARY PANELBOARD ACCEPTS TYPE UQFP ONLY (ORDERED SEPARATELY)
- \* STANDARD TAPS 2FCAN AND 4FCBN